

A 52 5/8" Crosby

B 10 1/16"

C 15 9/16"

D 7 5/16"

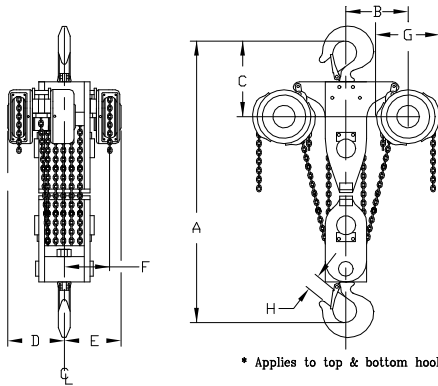
E 7 5/16"

F 5 9/16"

G 11 1/2"

* H 3 1/4"

SPARK RES'T. UNIT



* Applies to top & bottom hook

THIS DRAWING SUPPLIED FOR DIMENSIONAL PURPOSES ONLY
VISUAL DETAILS MAY VARY SLIGHTLY FROM UNIT SUPPLIED
HOWEVER DIMENSIONS SHOWN APPLY

12 TON HOOK TYPE ZSGH

CHESTER HOIST
LISBON, OHIO

DR. RLB | TR. | CK. | AP.

SCALE NONE | DATE 9/11/07

REF. DWG. NO.

Dwg. No. CN175

REVISIONS	CK-DATE
-----------	---------