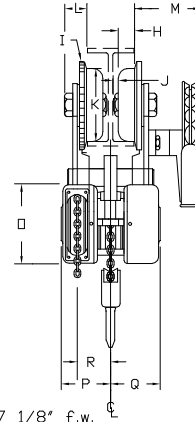
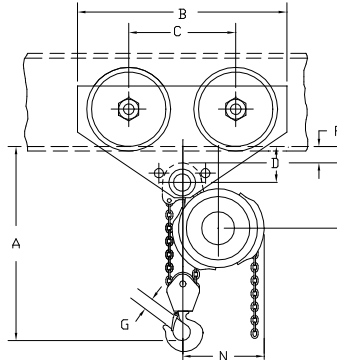


SPARK RES'T. UNIT

- A 23 3/8"
- B 16 3/4"
- C 8 1/2"
- D 3 7/16"
- E 9 13/16"
- **F 1 7/16"
- G 2 1/16"
- H 1 13/32"
- I 8"
- J 3/16"
- K 6 3/8"
- L 2 9/16"
- *M 8 11/16"
- N 11"
- O 9 3/4"
- P 5"
- Q 5"
- R 3 1/4"



* Applies to geared units only
 ** At closest point of contact
 This unit is adjustable from 4" - 7 1/8" f.w.
 Dimensions shown are accurate for
 "S" & "W" beam shapes

THIS DRAWING SUPPLIED FOR DIMENSIONAL PURPOSES ONLY
 VISUAL DETAILS MAY VARY SLIGHTLY FROM UNIT SUPPLIED
 HOWEVER DIMENSIONS SHOWN APPLY

		4 TON ARMY TYPE HOIST	DR. RL B	TR.	CK.	AP.
			SCALE NONE		DATE 11/2/07	
			REF. DWG. NO.			
			Dwg. No. CN212			
MK.	REVISIONS	CK-DATE	CHESTER HOIST LISBON, OHIO			