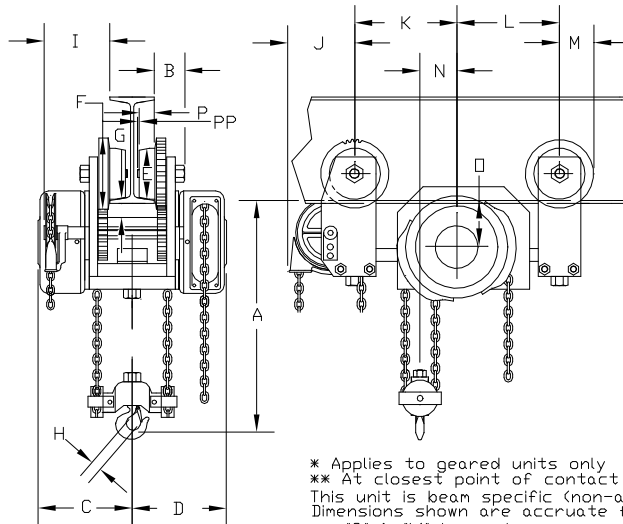


SPARK RES'T. UNIT

- A 10 11/16"
- B 2 9/16"
- C 9 7/8"
- D 9 7/8"
- E 6 3/8"
- F 8"
- ** G 1 1/16"
- H 2 7/32"
- * I 8 1/8"
- * J 6 1/8"
- K 11 9/16"
- L 7 11/16"
- M 4"
- N 3"
- P 3 7/16"
- PP 1 11/32"
- PP 3/16"



* Applies to geared units only
 ** At closest point of contact
 This unit is beam specific (non-adjustable)
 Dimensions shown are accurate for
 "S" & "W" beam shapes

THIS DRAWING SUPPLIED FOR DIMENSIONAL PURPOSES ONLY
 VISUAL DETAILS MAY VARY SLIGHTLY FROM UNIT SUPPLIED
 HOWEVER DIMENSIONS SHOWN APPLY

4 TON SWIVEL TRUCK
 LOW HEADROOM

CHESTER HOIST
 LISBON, OHIO

DR. RLB	TR.	CK.	AP.
---------	-----	-----	-----

SCALE NONE	DATE 9/11/07
------------	--------------

REF. DWG. NO.

Dwg. No. CN226

MK.	REVISIONS	CK-DATE
-----	-----------	---------