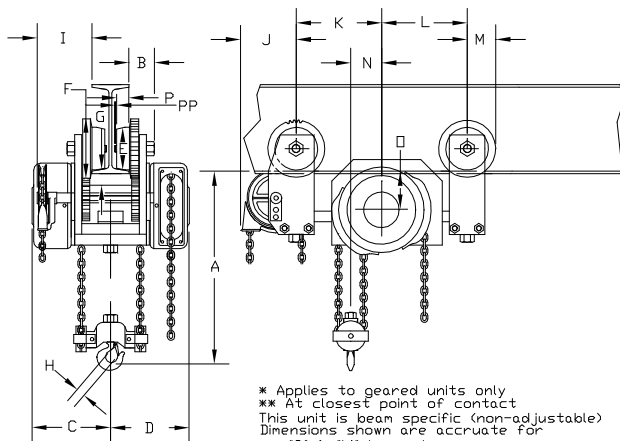


# SPARK RES'T. UNIT

- A 9 9/16"
- B 2 9/16"
- C 9 7/8"
- D 9 7/8"
- E 6 3/8"
- F 8"
- \*\* G 1 1/16"
- H 1 11/16"
- \* I 8 1/8"
- \* J 6 1/8"
- K 11 9/16"
- L 7 11/16"
- M 4"
- N 3"
- O 3 7/16"
- P 1 11/32"
- PP 3/16"



\* Applies to geared units only  
 \*\* At closest point of contact  
 This unit is beam specific (non-adjustable)  
 Dimensions shown are accurate for  
 "S" & "W" beam shapes

THIS DRAWING SUPPLIED FOR DIMENSIONAL PURPOSES ONLY  
 VISUAL DETAILS MAY VARY SLIGHTLY FROM UNIT SUPPLIED  
 HOWEVER DIMENSIONS SHOWN APPLY

					DR. RLB	TR.	CK.	AP.
			3 TON SWIVEL TRUCK		SCALE	NONE	DATE	9/11/07
			CHESTER HOIST		REF. DWG. NO.			
			LISBON, OHIO		Dwg. No. CN225			
MK.	REVISIONS	CK-DATE						