

A $1\frac{1}{4}$ " P1 $1\frac{11}{32}$ "

B $9\frac{16}$ "

C $7\frac{8}$ "

D $7\frac{8}$ "

E $3\frac{8}$ " WH'L. TREAD O.D.

F 8" WH'L. FLG. O.D.

G $15\frac{16}$ " PLAIN OR GEARED

H $1\frac{11}{32}$ "

* I $8\frac{1}{8}$ "

* J $6\frac{1}{8}$ "

K $9\frac{16}$ "

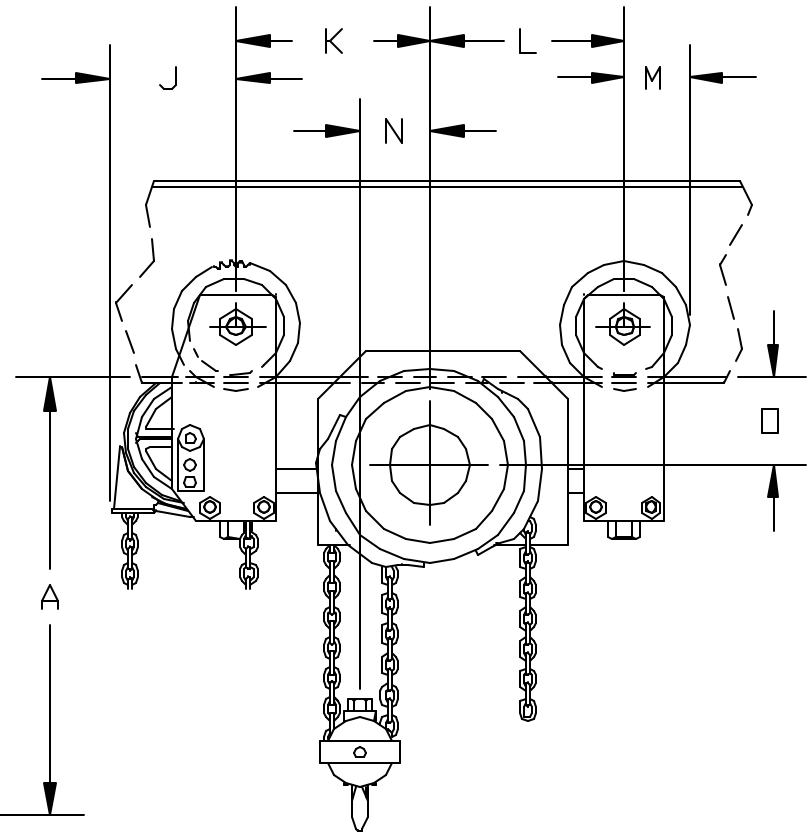
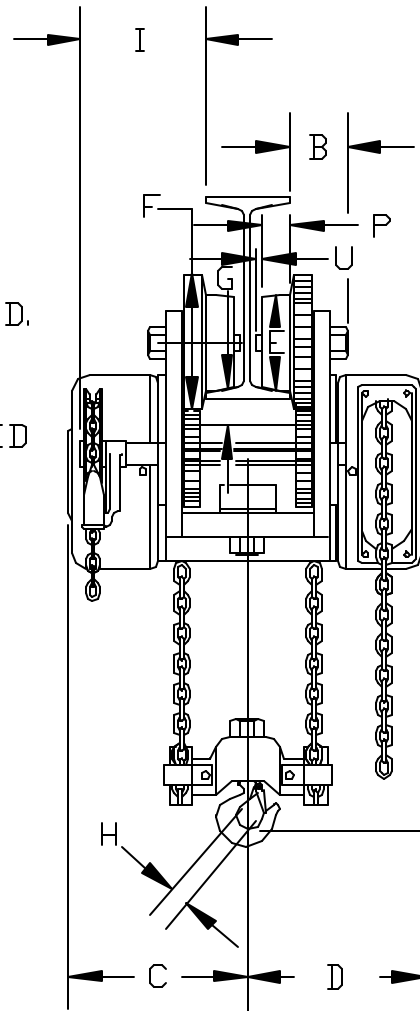
L $11\frac{16}$ "

M 4"

N 3"

O $3\frac{7}{16}$ " U $3\frac{16}$ "

* GEARED UNITS ONLY
UNIT NOT ADJUSTABLE



CUSTOMER MUST TAKE INTO CONSIDERATION
FLANGE WIDTH AND THICKNESS.
DIMENSIONS SHOWN ARE ACCURATE FOR ANY
"S" OR "WF" BEAM

FLAT TREAD WHEELS (NOT SHOWN) SUPPLIED FOR "WF" BEAM APPLICATIONS

R2	AXLE DIM RLB	11/18/02
R1	TON CHG. RLB	10/15/02
MK.	REVISIONS	CK-DATE

3 TON SWIVEL TRUCK
LOW HEADROOM
CHESTER HOIST
LISBON, OHIO

DR. RLB	TR.	CK.	AP.
SCALE NONE		DATE 6-19-00	
REF. DWG. NO.		CL3ST	
Dwg. No. CD050			