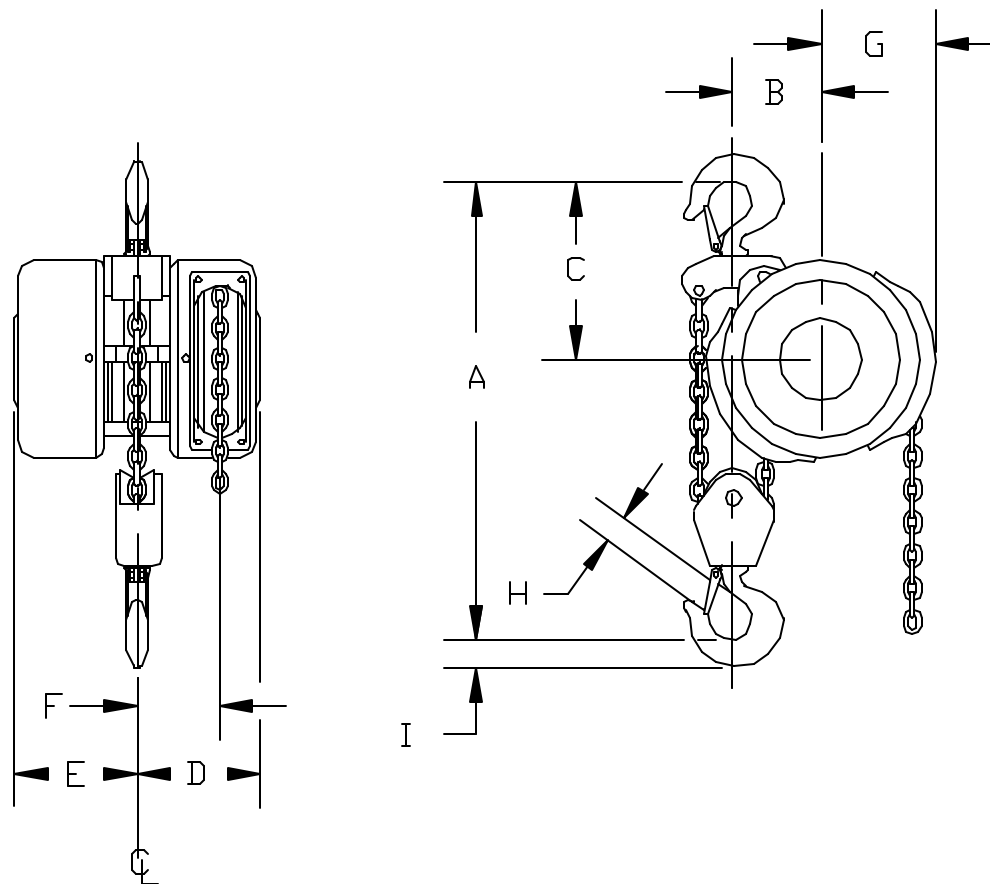


- A 23 1/2"
- B 4 7/8"
- C 9 1/8"
- D 5"
- E 5"
- F 3 1/4"
- G 5 3/4"
- * H 1 11/32"
- * I 1 7/16"



* DIM. FOR TOP & BOTTOM HOOK

		3 TON HOOK SUSPENDED SPUR GEARED HOIST		DR. RLB	TR.	CK.	AP.
		CHESTER HOIST		SCALE NONE		DATE 6-19-00	
		LISBON, OHIO		REF. DWG. NO. ZSGH3T			
R1	CAP CHG RLB	11/18/02		Dwg. No. CD021			
MK.	REVISIONS	CK-DATE					