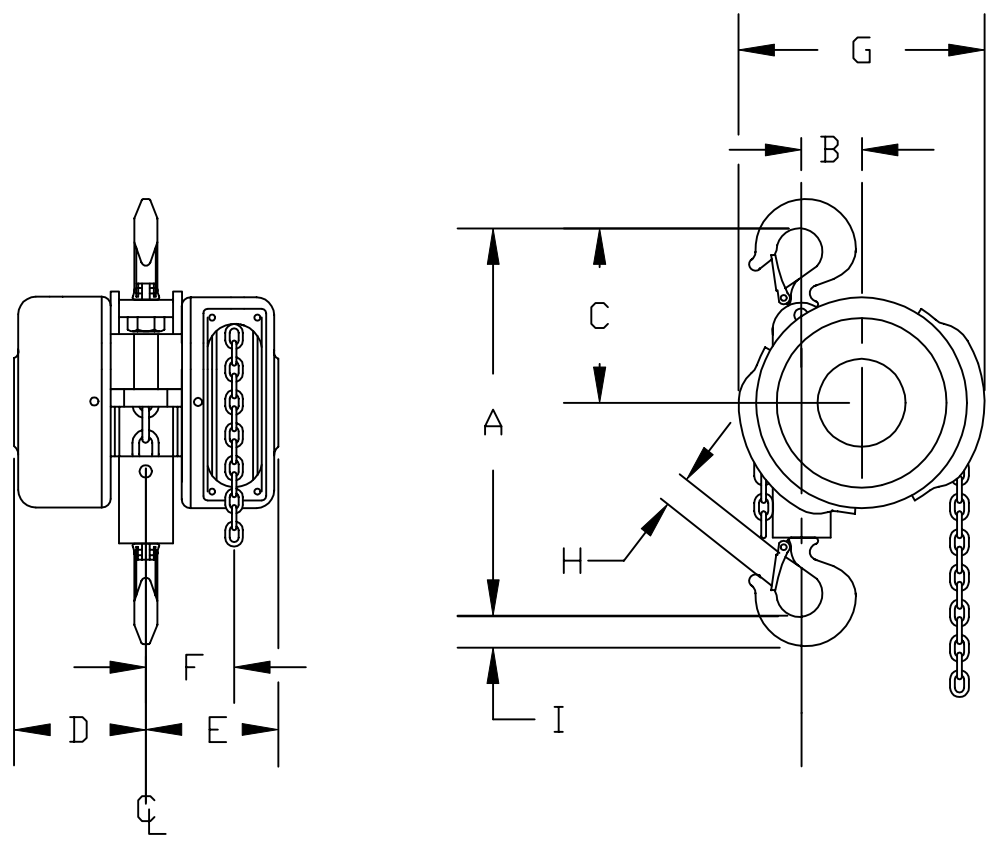


- A 15 7/8"
- B 1 3/4"
- C 7 5/8"
- D 5"
- E 5"
- F 3 1/4"
- G 11 1/2"
- \* H 1 1/8"
- \* I 1 1/8"



\* DIM. FOR TOP & BOTTOM HOOK

MK.	REVISIONS	CK-DATE

1 1/2 & 2 TON  
 HOOK SUSPENDED SPUR GEARED HOIST  
**CHESTER HOIST**  
 LISBON, OHIO

DR. RLB	TR.	CK.	AP.
SCALE NONE		DATE 6-19-00	
REF. DWG. NO.		ZSGH2	
Dwg. No. CD020			