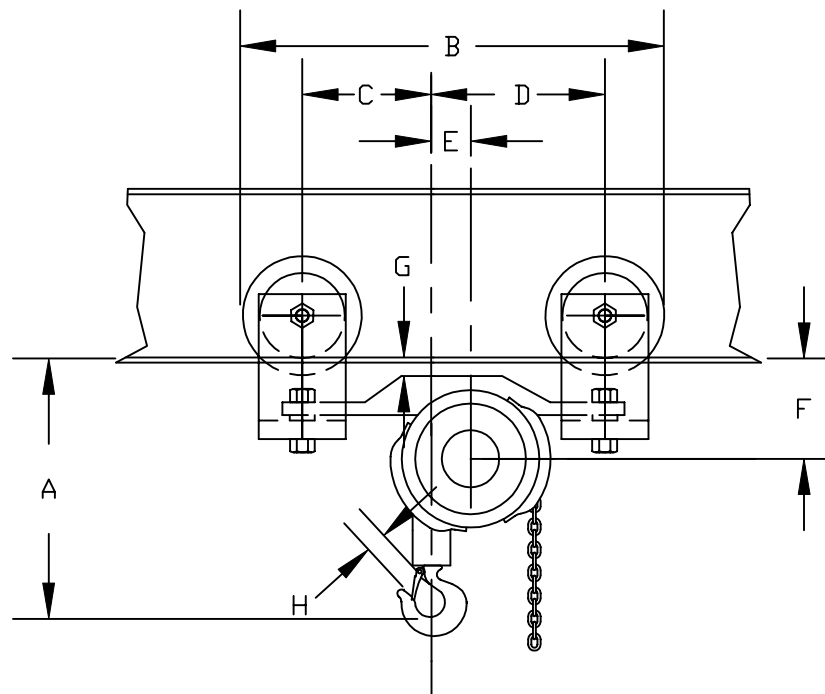
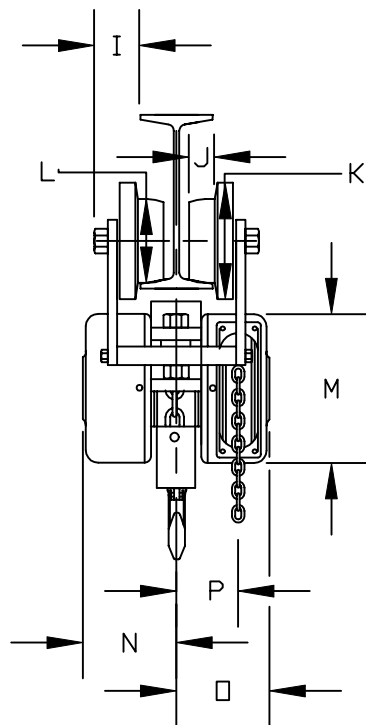


- A 11 1/8"
- B 18 3/8"
- C 6 1/8"
- D 8 5/8"
- E 1 3/8"
- F 4 13/16"
- G 7/8"
- H 1"
- I 2"
- J 7/8"
- K 3 5/8"
- L 2 7/8"
- M 7 1/4"
- N 4 1/4"
- 4 1/4"
- P 3"



UNIT IS ADJUSTABLE FROM S4"X7.7# THROUGH S10"X25.4# BEAM ONLY
 CUSTOMER MUST TAKE INTO CONSIDERATION FLANGE WIDTH AND THICKNESS.
 * DIM. TO WHEEL RUNNING SURFACE

MK.	REVISIONS	CK-DATE

1/4 & 1/2 TON ARMY TYPE PLAIN TROLLEY
 HOIST

CHESTER HOIST
 LISBON, OHIO

DR. RLB	TR.	CK.	AP.
SCALE NONE		DATE 6-19-00	
REF. DWG. NO. ZAT12			
Dwg. No. CD039			