

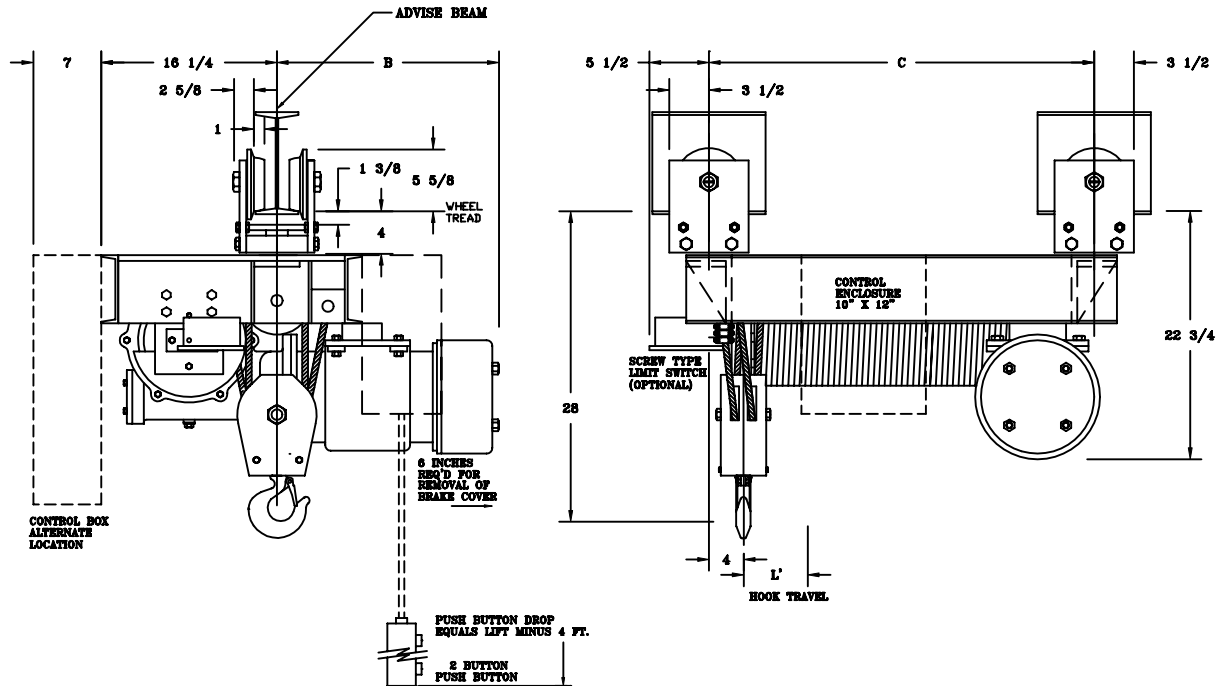
CHESTER HOIST

WORM DRIVE HOIST
DATA SHEET E-7AS

CAPACITY 2-3 TON

STANDARD HEADROOM
PLAIN TROLLEY TYPE - R

SINGLE HOOK MONORAIL
4-PART SINGLE



ALL DIMENSIONS IN INCHES

MODEL NUMBER	CAPACITY (lbs.)	SPEED (fpm)	LIFT (ft.)	REEVING	MOTOR (hp)	B	C	L'	ST'D. I-BEAM		MIN. CURVE RADIUS (ft.)	APPROX. WT. (lbs.)
									SIZE	CLEAR*		
WDT-146S	4000	15	12	4PS-1/4	3 @ 1800	20 1/2	21 1/2	2 1/4	7-24	7/16	3	700
WDT-147S	4000	15	22	4PS-1/4	3 @ 1800	20 1/2	28	3 3/4	7-24	7/16	3	750
WDT-148S	4000	15	32	4PS-1/4	3 @ 1800	20 1/2	34 1/2	5 3/8	7-24	7/16	3	800
WDT-148AS	4000	15	49	4PS-1/4	3 @ 1800	20 1/2	44 1/2	8	7-24	7/16	3	900
WDT-148BS	4000	15	72	4PS-1/4	3 @ 1800	20 1/2	58 1/2	11 1/2	7-24	7/16	5	1000
WDT-148CS	4000	15	93	4PS-1/4	3 @ 1800	20 1/2	71 1/2	15	7-24	7/16	5	1100
WDT-148DS	4000	15	115	4PS-1/4	3 @ 1800	20 1/2	85 1/2	18 1/2	7-24	7/16	5	1200
WDT-140S	4000	20	12	4PS-1/4	4 @ 1800	20 1/2	21 1/2	2 1/4	7-24	7/16	3	700
WDT-141S	4000	20	22	4PS-1/4	4 @ 1800	20 1/2	28	3 3/4	7-24	7/16	3	750
WDT-142S	4000	20	32	4PS-1/4	4 @ 1800	20 1/2	34 1/2	5 3/8	7-24	7/16	3	800
WDT-142AS	4000	20	49	4PS-1/4	4 @ 1800	20 1/2	44 1/2	8	7-24	7/16	3	850
WDT-142BS	4000	20	72	4PS-1/4	4 @ 1800	20 1/2	58 1/2	11 1/2	7-24	7/16	5	950
WDT-142CS	4000	20	93	4PS-1/4	4 @ 1800	20 1/2	71 1/2	15	7-24	7/16	5	1050
WDT-142DS	4000	20	115	4PS-1/4	4 @ 1800	20 1/2	85 1/2	18 1/2	7-24	7/16	5	1150
WDT-160S	6000	15	9	4PS-5/16	5 @ 1800	20 1/2	21 1/2	2 1/4	7-24	7/16	3	700
WDT-161S	6000	15	17	4PS-5/16	5 @ 1800	20 1/2	28	3 3/4	7-24	7/16	3	750
WDT-162S	6000	15	26	4PS-5/16	5 @ 1800	20 1/2	34 1/2	5 3/8	7-24	7/16	3	800
WDT-162AS	6000	15	39	4PS-5/16	5 @ 1800	20 1/2	44 1/2	8	7-24	7/16	3	850
WDT-162BS	6000	15	57	4PS-5/16	5 @ 1800	20 1/2	58 1/2	11 1/2	7-24	7/16	5	950
WDT-162CS	6000	15	74	4PS-5/16	5 @ 1800	20 1/2	71 1/2	15	7-24	7/16	5	1050
WDT-163S	6000	20	9	4PS-5/16	6 @ 1800	23 1/2	21 1/2	2 1/4	7-24	7/16	3	725
WDT-164S	6000	20	17	4PS-5/16	6 @ 1800	23 1/2	28	3 3/4	7-24	7/16	3	775
WDT-165S	6000	20	26	4PS-5/16	6 @ 1800	23 1/2	34 1/2	5 3/8	7-24	7/16	3	825
WDT-165AS	6000	20	39	4PS-5/16	6 @ 1800	23 1/2	44 1/2	8	7-24	7/16	3	875
WDT-165BS	6000	20	57	4PS-5/16	6 @ 1800	23 1/2	58 1/2	11 1/2	7-24	7/16	5	975
WDT-165CS	6000	20	74	4PS-5/16	6 @ 1800	23 1/2	71 1/2	15	7-24	7/16	5	1075

* CLEARANCE BASED ON MAX. "S" BEAM SIZE 24" @ 121 LBS.
TROLLEYS FOR OTHER I-BEAMS AND PATENTED TRACKS ARE AVAILABLE.
NOTE: WHEN USING SCREW TYPE LIMIT SWITCH ADD 1 INCH TO HEADROOM.