

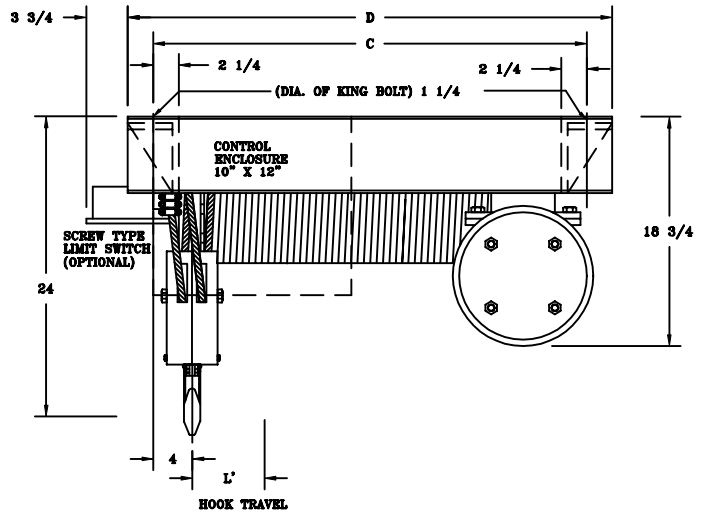
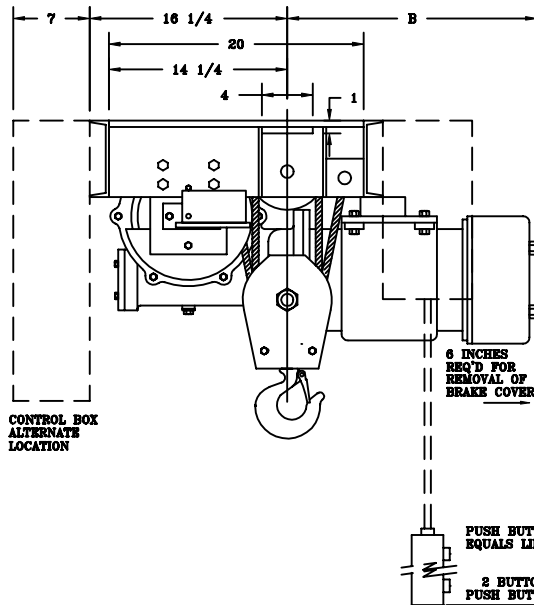
CHESTER HOIST

WORM DRIVE HOIST
DATA SHEET E-2AS

CAPACITY 2-3 TON

STANDARD HEADROOM
LUG TYPE - R

SINGLE HOOK MONORAIL
4-PART SINGLE



ALL DIMENSIONS IN INCHES

MODEL NUMBER	CAPACITY (lbs.)	SPEED (fpm)	LIFT (ft.)	REEVING	MOTOR (hp)	B	C	D	L'	APPROX. WT. (lbs.)
WD-146S	4000	15	12	4PS-1/4	3 ● 1800	20 1/2	21 1/2	25	2 1/4	600
WD-147S	4000	15	22	4PS-1/4	3 ● 1800	20 1/2	28	31 1/2	3 3/4	650
WD-148S	4000	15	32	4PS-1/4	3 ● 1800	20 1/2	34 1/2	38	5 3/8	700
WD-148AS	4000	15	49	4PS-1/4	3 ● 1800	20 1/2	44 1/2	48	8	800
WD-148BS	4000	15	72	4PS-1/4	3 ● 1800	20 1/2	58 1/2	62	11 1/2	900
WD-148CS	4000	15	93	4PS-1/4	3 ● 1800	20 1/2	71 1/2	75	15	1000
WD-148DS	4000	15	115	4PS-1/4	3 ● 1800	20 1/2	85 1/2	89	18 1/2	1100
WD-140S	4000	20	12	4PS-1/4	4 ● 1800	20 1/2	21 1/2	25	2 1/4	600
WD-141S	4000	20	22	4PS-1/4	4 ● 1800	20 1/2	28	31 1/2	3 3/4	650
WD-142S	4000	20	32	4PS-1/4	4 ● 1800	20 1/2	34 1/2	38	5 3/8	700
WD-142AS	4000	20	49	4PS-1/4	4 ● 1800	20 1/2	44 1/2	48	8	750
WD-142BS	4000	20	72	4PS-1/4	4 ● 1800	20 1/2	58 1/2	62	11 1/2	850
WD-142CS	4000	20	93	4PS-1/4	4 ● 1800	20 1/2	71 1/2	75	15	950
WD-142DS	4000	20	115	4PS-1/4	4 ● 1800	20 1/2	85 1/2	89	18 1/2	1015
WD-160S	6000	15	9	4PS-5/16	5 ● 1800	20 1/2	21 1/2	25	2 1/4	600
WD-161S	6000	15	17	4PS-5/16	5 ● 1800	20 1/2	28	31 1/2	3 3/4	650
WD-162S	6000	15	26	4PS-5/16	5 ● 1800	20 1/2	34 1/2	38	5 3/8	700
WD-162AS	6000	15	39	4PS-5/16	5 ● 1800	20 1/2	44 1/2	48	8	750
WD-162BS	6000	15	57	4PS-5/16	5 ● 1800	20 1/2	58 1/2	62	11 1/2	850
WD-162CS	6000	15	74	4PS-5/16	5 ● 1800	20 1/2	71 1/2	75	15	950
WD-163S	6000	20	9	4PS-5/16	6 ● 1800	23 1/2	21 1/2	25	2 1/4	625
WD-164S	6000	20	17	4PS-5/16	6 ● 1800	23 1/2	28	31 1/2	3 3/4	675
WD-165S	6000	20	26	4PS-5/16	6 ● 1800	23 1/2	34 1/2	38	5 3/8	725
WD-165AS	6000	20	39	4PS-5/16	6 ● 1800	23 1/2	44 1/2	48	8	775
WD-165BS	6000	20	57	4PS-5/16	6 ● 1800	23 1/2	58 1/2	62	11 1/2	875
WD-165CS	6000	20	74	4PS-5/16	6 ● 1800	23 1/2	71 1/2	75	15	975

NOTE: WHEN USING SCREW TYPE LIMIT SWITCH ADD 1 INCH TO HEADROOM.