

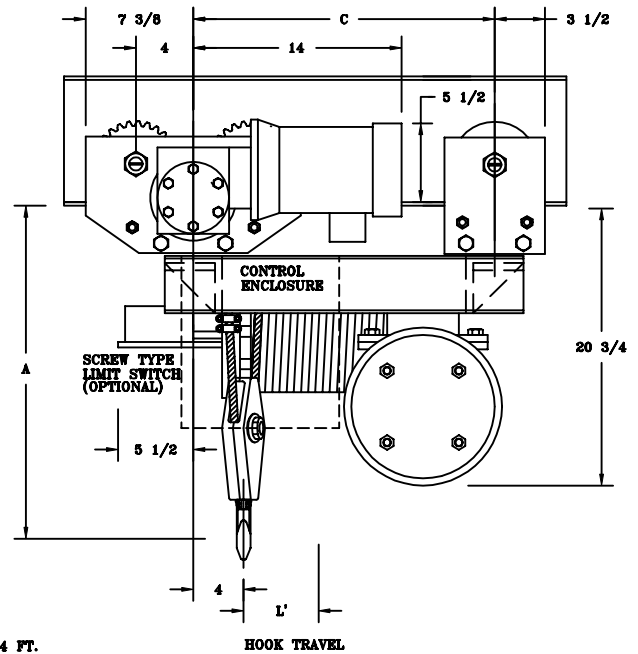
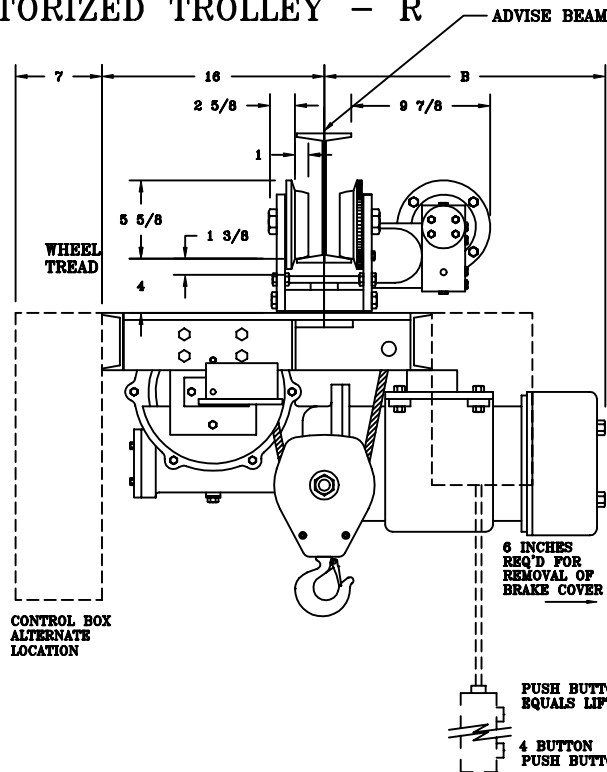
CHESTER HOIST

WORM DRIVE HOIST
DATA SHEET E-18AS

CAPACITY 1-1 1/2 TON

STANDARD HEADROOM
MOTORIZED TROLLEY - R

SINGLE HOOK MONORAIL
2-PART SINGLE



ALL DIMENSIONS IN INCHES

MODEL NUMBER	CAPACITY (lbs.)	SPEED (fpm)	LIFT (ft.)	REEVING	MOTOR (hp)	A	B	C	L'	ST'D. I-BEAM		MIN. CURVE RADIUS (ft.)	APPROX. WT. (lbs.)
										SIZE	CLEAR*		
WDMT-127S	2000	20	24	2PS-1/4	2 ● 1200	22	20 1/2	21 1/2	4 1/4	7-24	7/16	6	640
WDMT-128S	2000	20	45	2PS-1/4	2 ● 1200	22	20 1/2	28	7 1/2	7-24	7/16	6	690
WDMT-129S	2000	20	66	2PS-1/4	2 ● 1200	22	20 1/2	34 1/2	11	7-24	7/16	6	740
WDMT-129BS	2000	20	98	2PS-1/4	2 ● 1200	22	20 1/2	44 1/2	16	7-24	7/16	6	820
WDMT-120S	2000	30	24	2PS-1/4	3 ● 1800	22	20 1/2	21 1/2	4 1/4	7-24	7/16	6	640
WDMT-121S	2000	30	45	2PS-1/4	3 ● 1800	22	20 1/2	28	7 1/2	7-24	7/16	6	690
WDMT-122S	2000	30	66	2PS-1/4	3 ● 1800	22	20 1/2	34 1/2	11	7-24	7/16	6	740
WDMT-122BS	2000	30	98	2PS-1/4	3 ● 1800	22	20 1/2	44 1/2	16	7-24	7/16	6	820
WDMT-123S	2000	40	24	2PS-1/4	4 ● 1800	22	20 1/2	21 1/2	4 1/4	7-24	7/16	6	640
WDMT-124S	2000	40	45	2PS-1/4	4 ● 1800	22	20 1/2	28	7 1/2	7-24	7/16	6	690
WDMT-125S	2000	40	66	2PS-1/4	4 ● 1800	22	20 1/2	34 1/2	11	7-24	7/16	6	740
WDMT-125BS	2000	40	98	2PS-1/4	4 ● 1800	22	20 1/2	44 1/2	16	7-24	7/16	6	820
WDMT-130S	3000	20	18	2PS-5/16	3 ● 1200	24	20 1/2	21 1/2	4 1/4	7-24	7/16	6	640
WDMT-131S	3000	20	35	2PS-5/16	3 ● 1200	24	20 1/2	28	7 1/2	7-24	7/16	6	690
WDMT-132S	3000	20	52	2PS-5/16	3 ● 1200	24	20 1/2	34 1/2	11	7-24	7/16	6	740
WDMT-133S	3000	30	18	2PS-5/16	5 ● 1800	24	20 1/2	21 1/2	4 1/4	7-24	7/16	6	640
WDMT-134S	3000	30	35	2PS-5/16	5 ● 1800	24	20 1/2	28	7 1/2	7-24	7/16	6	690
WDMT-135S	3000	30	52	2PS-5/16	5 ● 1800	24	20 1/2	34 1/2	11	7-24	7/16	6	740
WDMT-136S	3000	40	18	2PS-5/16	6 ● 1800	24	23 1/2	21 1/2	4 1/4	7-24	7/16	6	665
WDMT-137S	3000	40	35	2PS-5/16	6 ● 1800	24	23 1/2	28	7 1/2	7-24	7/16	6	715
WDMT-138S	3000	40	52	2PS-5/16	6 ● 1800	24	23 1/2	34 1/2	11	7-24	7/16	6	765

* CLEARANCE BASED ON MAX. "S" BEAM SIZE 24" @ 121 LBS.
TROLLEYS FOR OTHER I-BEAMS AND PATENTED TRACKS ARE AVAILABLE.
NOTE: WHEN USING SCREW TYPE LIMIT SWITCH ADD 1 INCH TO HEADROOM.