

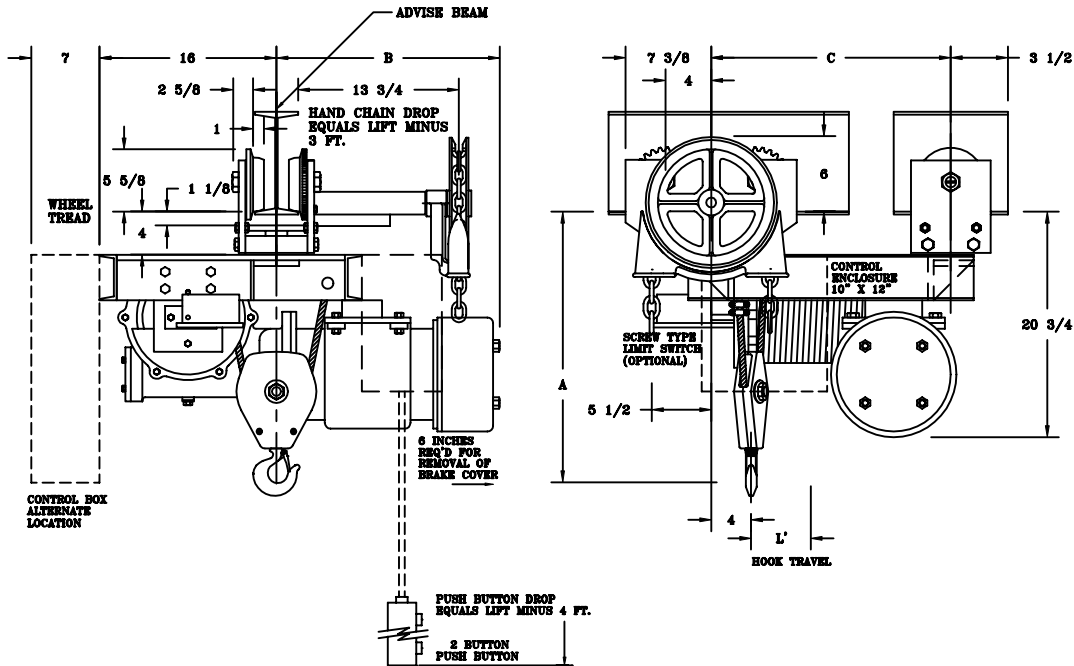
# CHESTER HOIST

WORM DRIVE HOIST  
DATA SHEET E-13AS

CAPACITY 1-1 1/2 TON

STANDARD HEADROOM  
HAND GEARED TROLLEY - R

SINGLE HOOK MONORAIL  
2-PART SINGLE



ALL DIMENSIONS IN INCHES

| MODEL NUMBER | CAPACITY (lbs.) | SPEED (fpm) | LIFT (ft.) | REEVING  | MOTOR (hp) | A  | B      | C      | L'    | ST'D. I-BEAM |        | MIN. CURVE RADIUS (ft.) | APPROX. WT. (lbs.) |
|--------------|-----------------|-------------|------------|----------|------------|----|--------|--------|-------|--------------|--------|-------------------------|--------------------|
|              |                 |             |            |          |            |    |        |        |       | SIZE         | CLEAR* |                         |                    |
| WDGT-127S    | 2000            | 20          | 24         | 2PS-1/4  | 2 @ 1200   | 22 | 20 1/2 | 21 1/2 | 4 1/4 | 7-24         | 7/16   | 6                       | 640                |
| WDGT-128S    | 2000            | 20          | 45         | 2PS-1/4  | 2 @ 1200   | 22 | 20 1/2 | 28     | 7 1/2 | 7-24         | 7/16   | 6                       | 690                |
| WDGT-129S    | 2000            | 20          | 66         | 2PS-1/4  | 2 @ 1200   | 22 | 20 1/2 | 34 1/2 | 11    | 7-24         | 7/16   | 6                       | 740                |
| WDGT-129BS   | 2000            | 20          | 98         | 2PS-1/4  | 2 @ 1200   | 22 | 20 1/2 | 44 1/2 | 16    | 7-24         | 7/16   | 6                       | 820                |
| WDGT-120S    | 2000            | 30          | 24         | 2PS-1/4  | 3 @ 1800   | 22 | 20 1/2 | 21 1/2 | 4 1/4 | 7-24         | 7/16   | 6                       | 640                |
| WDGT-121S    | 2000            | 30          | 45         | 2PS-1/4  | 3 @ 1800   | 22 | 20 1/2 | 28     | 7 1/2 | 7-24         | 7/16   | 6                       | 690                |
| WDGT-122S    | 2000            | 30          | 66         | 2PS-1/4  | 3 @ 1800   | 22 | 20 1/2 | 34 1/2 | 11    | 7-24         | 7/16   | 6                       | 740                |
| WDGT-122BS   | 2000            | 30          | 98         | 2PS-1/4  | 3 @ 1800   | 22 | 20 1/2 | 44 1/2 | 16    | 7-24         | 7/16   | 6                       | 820                |
| WDGT-123S    | 2000            | 40          | 24         | 2PS-1/4  | 4 @ 1800   | 22 | 20 1/2 | 21 1/2 | 4 1/4 | 7-24         | 7/16   | 6                       | 640                |
| WDGT-124S    | 2000            | 40          | 45         | 2PS-1/4  | 4 @ 1800   | 22 | 20 1/2 | 28     | 7 1/2 | 7-24         | 7/16   | 6                       | 690                |
| WDGT-125S    | 2000            | 40          | 66         | 2PS-1/4  | 4 @ 1800   | 22 | 20 1/2 | 34 1/2 | 11    | 7-24         | 7/16   | 6                       | 740                |
| WDGT-125BS   | 2000            | 40          | 98         | 2PS-1/4  | 4 @ 1800   | 22 | 20 1/2 | 44 1/2 | 16    | 7-24         | 7/16   | 6                       | 820                |
| WDGT-130S    | 3000            | 20          | 18         | 2PS-5/16 | 3 @ 1200   | 24 | 20 1/2 | 21 1/2 | 4 1/4 | 7-24         | 7/16   | 6                       | 640                |
| WDGT-131S    | 3000            | 20          | 35         | 2PS-5/16 | 3 @ 1200   | 24 | 20 1/2 | 28     | 7 1/2 | 7-24         | 7/16   | 6                       | 690                |
| WDGT-132S    | 3000            | 20          | 52         | 2PS-5/16 | 3 @ 1200   | 24 | 20 1/2 | 34 1/2 | 11    | 7-24         | 7/16   | 6                       | 740                |
| WDGT-133S    | 3000            | 30          | 18         | 2PS-5/16 | 5 @ 1800   | 24 | 20 1/2 | 21 1/2 | 4 1/4 | 7-24         | 7/16   | 6                       | 640                |
| WDGT-134S    | 3000            | 30          | 35         | 2PS-5/16 | 5 @ 1800   | 24 | 20 1/2 | 28     | 7 1/2 | 7-24         | 7/16   | 6                       | 690                |
| WDGT-135S    | 3000            | 30          | 52         | 2PS-5/16 | 5 @ 1800   | 24 | 20 1/2 | 34 1/2 | 11    | 7-24         | 7/16   | 6                       | 740                |
| WDGT-136S    | 3000            | 40          | 18         | 2PS-5/16 | 6 @ 1800   | 24 | 23 1/2 | 21 1/2 | 4 1/4 | 7-24         | 7/16   | 6                       | 665                |
| WDGT-137S    | 3000            | 40          | 35         | 2PS-5/16 | 6 @ 1800   | 24 | 23 1/2 | 28     | 7 1/2 | 7-24         | 7/16   | 6                       | 715                |
| WDGT-138S    | 3000            | 40          | 52         | 2PS-5/16 | 6 @ 1800   | 24 | 23 1/2 | 34 1/2 | 11    | 7-24         | 7/16   | 6                       | 765                |

\* CLEARANCE BASED ON MAX. "S" BEAM SIZE 24" @ 121 LBS.  
TROLLEYS FOR OTHER I-BEAMS AND PATENTED TRACKS ARE AVAILABLE.  
NOTE: WHEN USING SCREW TYPE LIMIT SWITCH ADD 1 INCH TO HEADROOM.