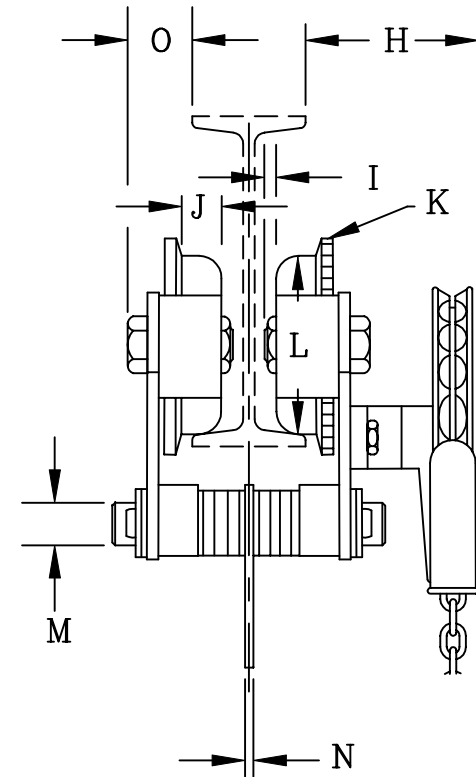
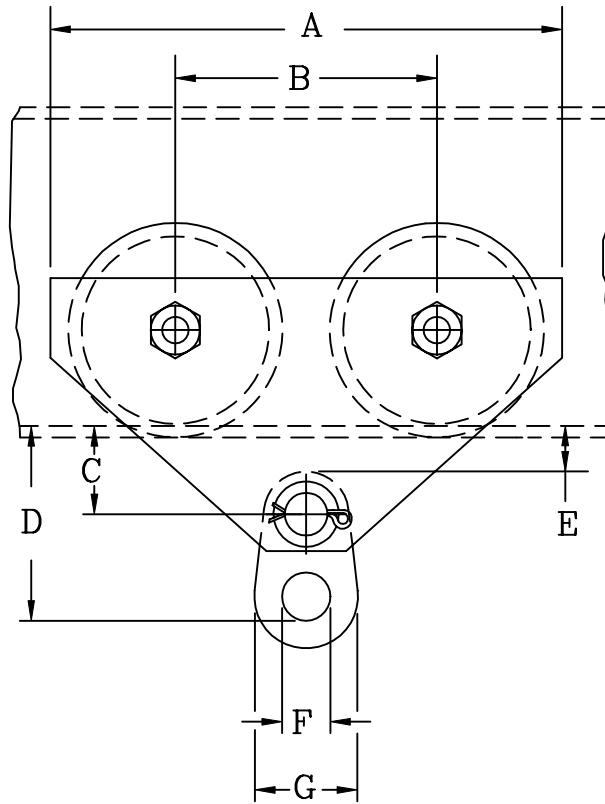


NO. REQ.

- A 15 5/8"
- B 7 5/8"
- \*C 2 5/8"
- \*D 6 3/4"
- \*E 1 1/8"
- F 2 1/8"
- G 3 5/8"
- \*\*H 6 1/8"
- I 0"
- J 1 1/8" Tread width
- K 6" Flange O.D.
- L 4 1/2" Tread O.D.
- M 1 1/2"
- N 3/8"
- O 2 1/8"



\* To wheel running surface of beam.  
 \*\* "H" applies to geared units only - For plain units o Dim. is the same for both sides of trolley.  
 THIS UNIT IS ADJUSTABLE FROM 3.33" - 6.25", MIN. BEAM HEIGHT 6"  
 CUSTOMER MUST TAKE INTO CONSIDERATION FLANGE WIDTH AND THICKNESS.

MK.	REVISIONS	CK-DATE

2 TON 1641/1642 TROLLEY

**CHESTER HOIST**  
LISBON, OHIO

DR. RLB	TR.	CK.	AP.
SCALE NONE		DATE	
REF. DWG. NO. 1600-2			
Dwg. No. CD085			