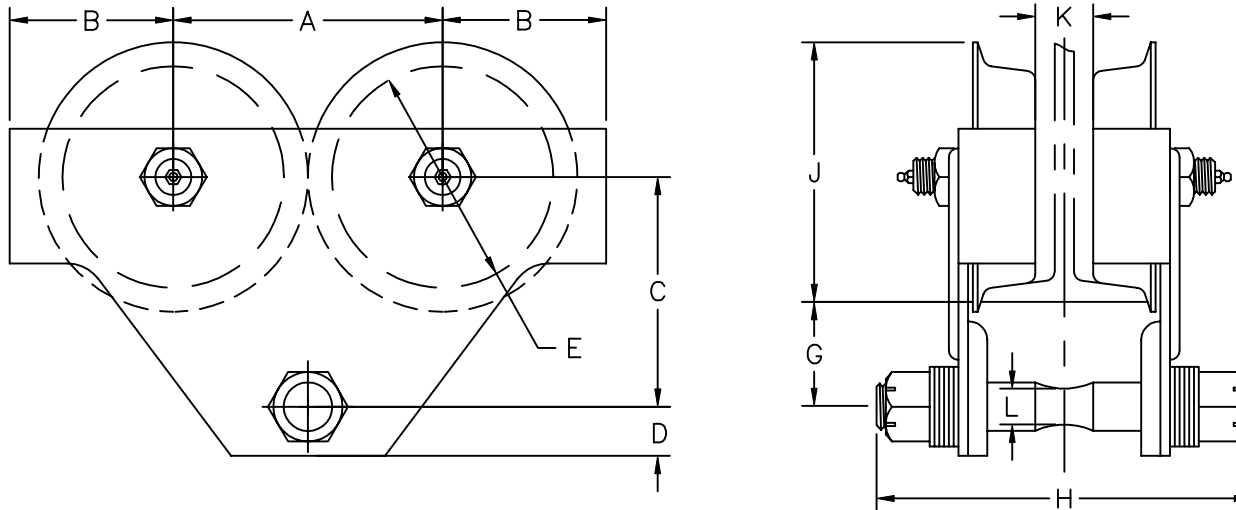


ALL DIMENSIONS ARE IN INCHES
 NOTE: THE THREE TON TROLLEY IS NOT RATED AT 3 METRIC TONS
 *** DIM. "K" OCCURS ON SMALLEST SIZE BEAM ONLY. ON EACH LARGER SIZE
 BEAM IT IS INCREASED BY THE DIFFERENCE IN FLANGE WIDTH.



CAPACITY METRIC RATED	CAT. NO.	SHIP WT. LBS	MIN. DEPTH	ADJUSTABLE TO FIT THESE BEAM SIZES			A	B	C	D	E	G MIN.	H	J MAX.	*** K MAX.	L
				MIN. FLANGE WIDTH	MAX. FLANGE WIDTH	MIN. RAD. CURVE									K MAX.	
1/4 TON (550 LB)	12	14	4	2 5/8	4 5/8	2'6"	4 3/8	2 13/16	4 1/8	1	3 1/8	1 29/32	7 9/16	3 15/16	11/16	7/8
1/4 TON (550 LB)	12A	15	4	5	7	2'6"	4 3/8	2 13/16	4 1/8	1	3 1/8	1 29/32	9 7/8	3 15/16	3 1/16	7/8
1/2 TON (1100 LB)	14	14	4	2 5/8	4 5/8	2'6"	4 3/8	2 13/16	4 1/8	1	3 1/8	1 29/32	7 9/16	3 15/16	11/16	7/8
1/2 TON (1100 LB)	14A	15	4	5	7	2'6"	4 3/8	2 13/16	4 1/8	1	3 1/8	1 29/32	9 7/8	3 15/16	3 1/16	7/8
1 TON (2200 LB)	15	26	5	3	5	3'0"	6 1/8	3 9/16	5 1/8	1 1/8	4	2 1/4	8 1/4	4 7/8	13/16	1
1 TON (2200 LB)	15A	28	5	5	7	3'0"	6 1/8	3 9/16	5 1/8	1 1/8	4	2 1/4	10 3/8	4 7/8	2 13/16	1
1 TON (2200 LB)	15B	29	5	7	9	3'0"	6 1/8	3 9/16	5 1/8	1 1/8	4	2 1/4	12 3/8	4 7/8	4 13/16	1
2 TON (4400 LB)	16	37	6	3 3/8	6	4'0"	6 7/8	3 13/16	5 3/4	1 5/16	4 15/16	2 3/16	8 3/4	6	3 3/8	1 1/4
2 TON (4400 LB)	16A	40	6	6	8	4'0"	6 7/8	3 13/16	5 3/4	1 5/16	4 15/16	2 1/4	10 3/4	6	1/4	1 1/8
2 TON (4400 LB)	16B	41	6	8	10	4'0"	6 7/8	3 13/16	5 3/4	1 5/16	4 15/16	2 3/16	12 3/4	6	3 3/8	1 1/4
3 TON (6000 LB)	17	76	6	3 3/8	6	4'0"	6 7/8	4 3/8	6	1 5/8	4 15/16	2 7/16	12	6	1 1/4	1 11/32
3 TON (6000 LB)	17A	79	6	6 1/8	8 7/8	4'0"	6 7/8	4 3/8	6	1 5/8	4 15/16	2 7/16	14 3/4	6	4 1/4	1 11/32
3 TON (6000 LB)	17B	80	6	9	11	4'0"	6 7/8	4 3/8	6	1 5/8	4 15/16	2 7/16	17 5/8	6	7	1 11/32

MK.	REVISIONS	CK-DATE

MODEL "PS"
BALL BEARING TROLLEY
CHESTER HOIST
 LISBON, OHIO

DR. RLB	TR.	CK.	AP.
SCALE NONE		DATE 12-16-94	
REF. DWG. NO.			
Dwg. No. CD082			